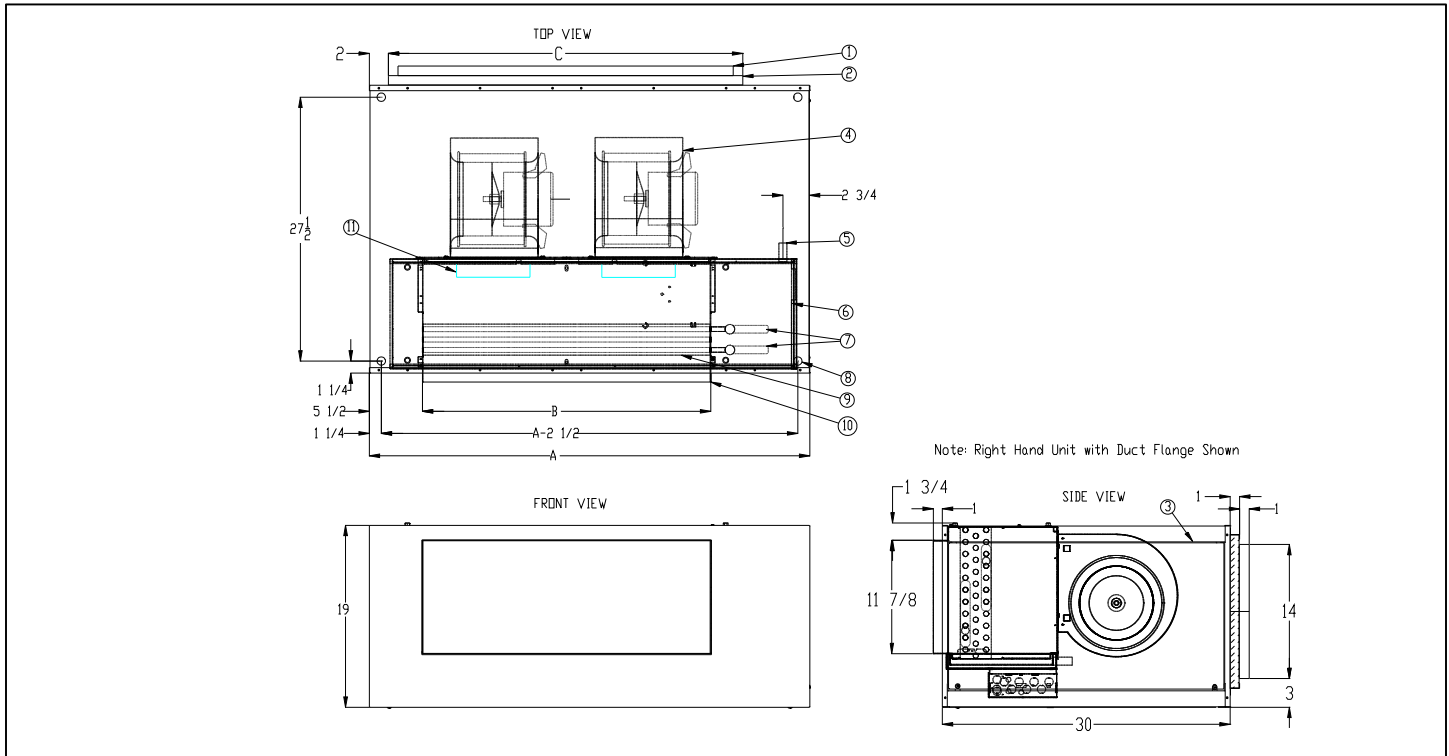


HHE
 Fan Coil Unit
 Horizontal High Output Exposed Cabinet



Model	Dimensions (inches)					Approx. Weight (lb)
	A	B	C	D	Filter	
HHE06	29	13	20	5/8	22X16X1	120
HHE08	34	18	25	5/8	27X16X1	132
HHE10	37	21	28	7/8	30X16X1	135
HHE12	42	26	33	7/8	35X16X1	156
HHE14	46	30	37	7/8	39X16X1	200
HHE16	50	34	41	7/8	43X16X1	230
HHE18	55	39	46	7/8	48X16X1	248
HHE20	59	43	50	7/8	52X16X1	262

1. Return air duct collar
2. Filter (rear return shown)
3. Access Panel
4. Blower / motor assembly
5. Drain connection - 3/4" MNPT
6. Condensate pan
7. Chilled water connections (supply and return)
O.D. = 'D'; Hot water connections = 5/8" O.D.
8. Mounting holes with rubber grommets
9. Coil assembly
10. Supply air duct collar
11. Electric heater (optional)

Accessories (Optional)

Check if provided.

- | | |
|---|---|
| <input type="checkbox"/> Motor Quick Disconnect | <input type="checkbox"/> Washable Filter |
| <input type="checkbox"/> Thermostat _____ | <input type="checkbox"/> Unit Disconnect Switch |
| <input type="checkbox"/> Control Transformer & Fan Relays | <input type="checkbox"/> Fuse |
| <input type="checkbox"/> Aquastat Changeover Switch | |

Accessories (Optional)

Coil - 1/2" O.D. Copper Tube; 10 Fins/Inch Aluminum, Sine Wave

2-Pipe

- 3-Row (STD.)
 4-Row (STD.)
 5-Row
 6-Row

4-Pipe (Cooling Rows/Heating Rows)

- 2/1-Row
 3/1-Row
 3/2-Row
 4/1-Row
 4/2-Row
 5/1-Row

- Chilled Water Cooling
 Hot Water Heating
 Glycol Cooling
 Glycol Heating

Motor(s) - 3 speed PSC

Standard
115V/60Hz/1ph

Model	HP	Total Amps
HHE06	1/4	3.6
HHE08	1/4	4.3
HHE10	1/4	4.3
HHE12	1/3	5.1
HHE14	2 X 1/4	2 X 4.2
HHE16	2 X 1/4	2 X 4.4
HHE18	2 X 1/4	2 X 4.6
HHE20	2 X 1/3	2 X 4.5

Optional:

- 208V/60Hz/1ph
 230V/60Hz/1ph
 277V/60Hz/1ph

Features:

- Automatic Reset
- Thermal Overload Protection System

Electric Heat (Single Phase)

Heater Voltage

- 115V
 208V
 230V
 277V

		Electric Heater kW Primary or Supplementary			
		115 Volts	208 Volts	230 Volts	277 Volts
Size	Blowers	Min-Max kW	Min-Max kW	Min-Max kW	Min-Max kW
06	1	1-4 kW	1-6 kW	1-6 kW	1-6 kW
08	1	1-4 kW	1-6 kW	1-6 kW	1-6 kW
10	1	1-4 kW	1-6 kW	1-6 kW	1-6 kW
12	1	1-4 kW	1-6 kW	1-6 kW	1-6 kW
14	2	1-4 kW	1-9 kW	1-10 kW	1-10 kW
16	2	1-4 kW	1-9 kW	1-10 kW	1-10 kW
18	2	1-4 kW	1-9 kW	1-10 kW	1-10 kW
20	2	1-4 kW	1-9 kW	1-10 kW	1-10 kW

Condensate Pan

- Galvanized (STD.)
- Safety (Two) Drain Connection
- Extension Plate
- Mastic Coating
- Stainless Steel Inner Layer
- Safety Overflow Float Switch*

Description: Inner and Outer Layer of 18 gauge Galvanized Sheet Metal with One - Inch Internal Insulation

*24V, requires transformer and fan relay if not obtained with a 24V thermostat.

Valves and Valve Accessories

- Shut - Off Valve(s)
- Shut - Off Valve w/ Memory Stop
- 2 - Way Motorized Valve
- 3 - Way Motorized Valve
- 2 - Way Modulating Valve
- Strainer(s)
- Manual Flow Control Valve(s)
- Automatic Flow Control Valve(s)
- Unions
- Pete's Plug(s)

General Description

- This horizontal discharge cabinet unit is suited for exposed, under-ceiling mounting where ducted air systems are required. Typical installations are in schools, hospitals, hotels and commercial buildings.
- Exterior fabricated of 18 gauge galvanized steel with ½" matte-faced liner for maximum thermal and acoustical insulation, unpainted.
- Removable motor/blower assembly.
- Throwaway filter.
- Manual Air Vent.
- System charged with air to insure a leak free arrival at the job site.

This submittal is meant to demonstrate general dimensions of this product. The drawings are not meant to detail every aspect of the product. Drawings are not to scale. Titus reserves the right to make changes without written notice.



605 Shiloh Road • Plano, Texas 75074 • 972-212-4800